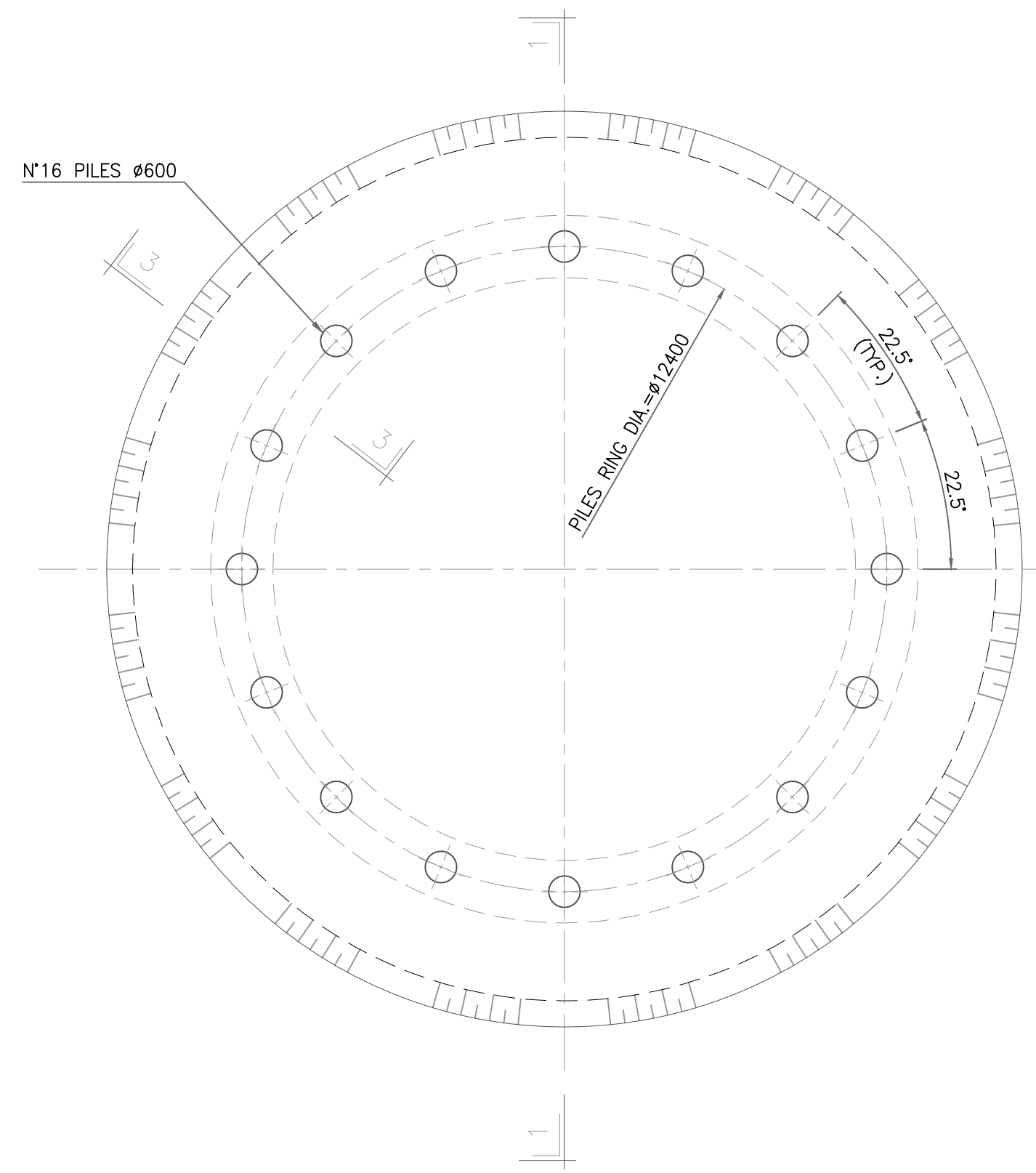
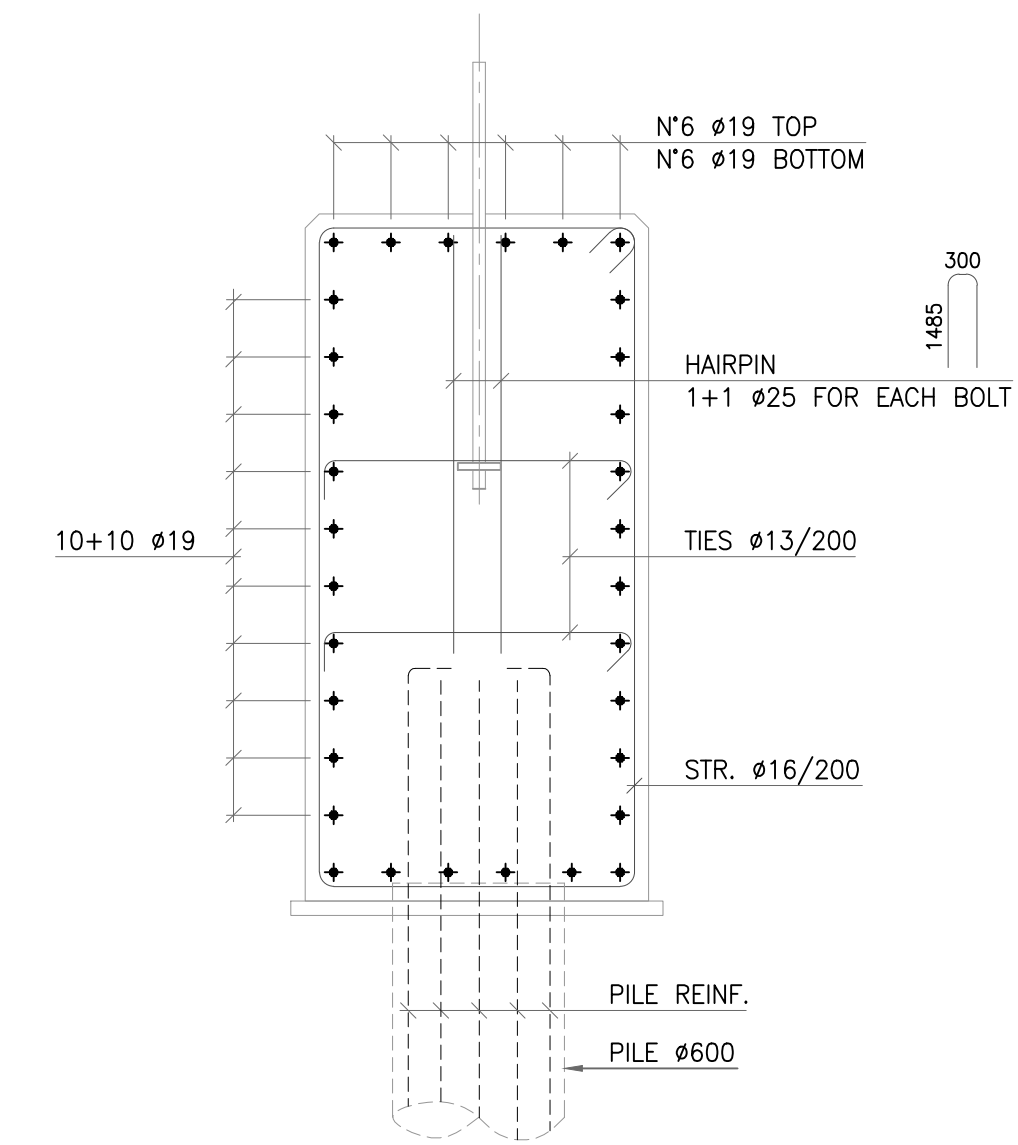


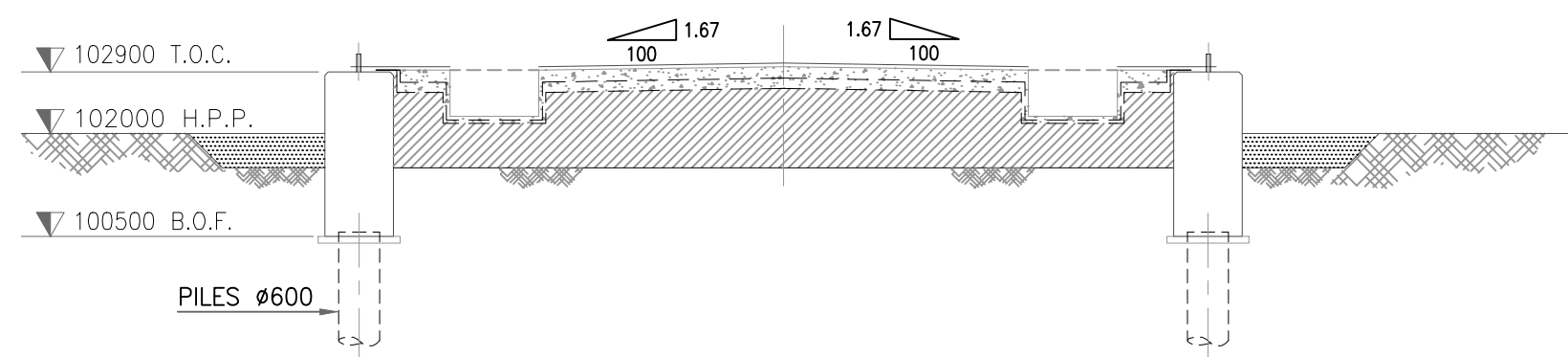
FOUNDATION PLAN
SCALE 1:100



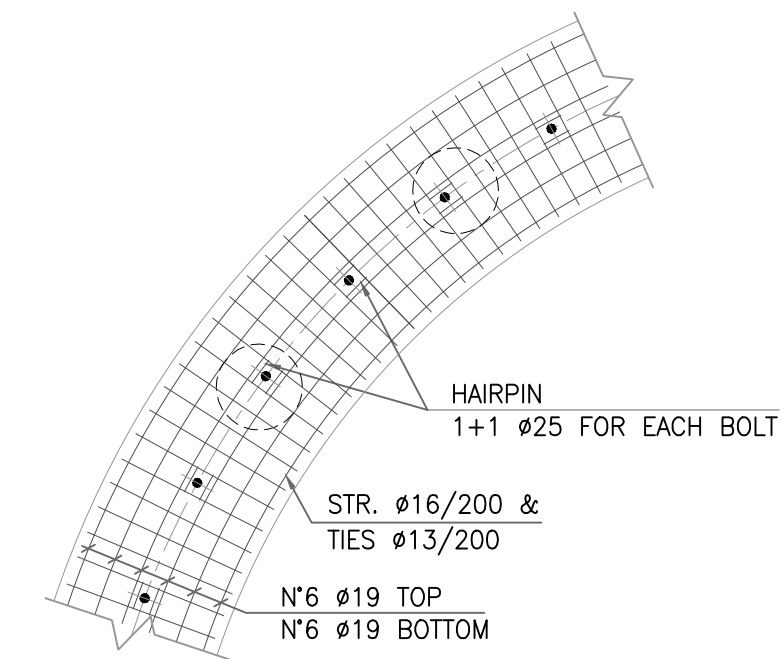
PILES LAYOUT
SCALE 1:100



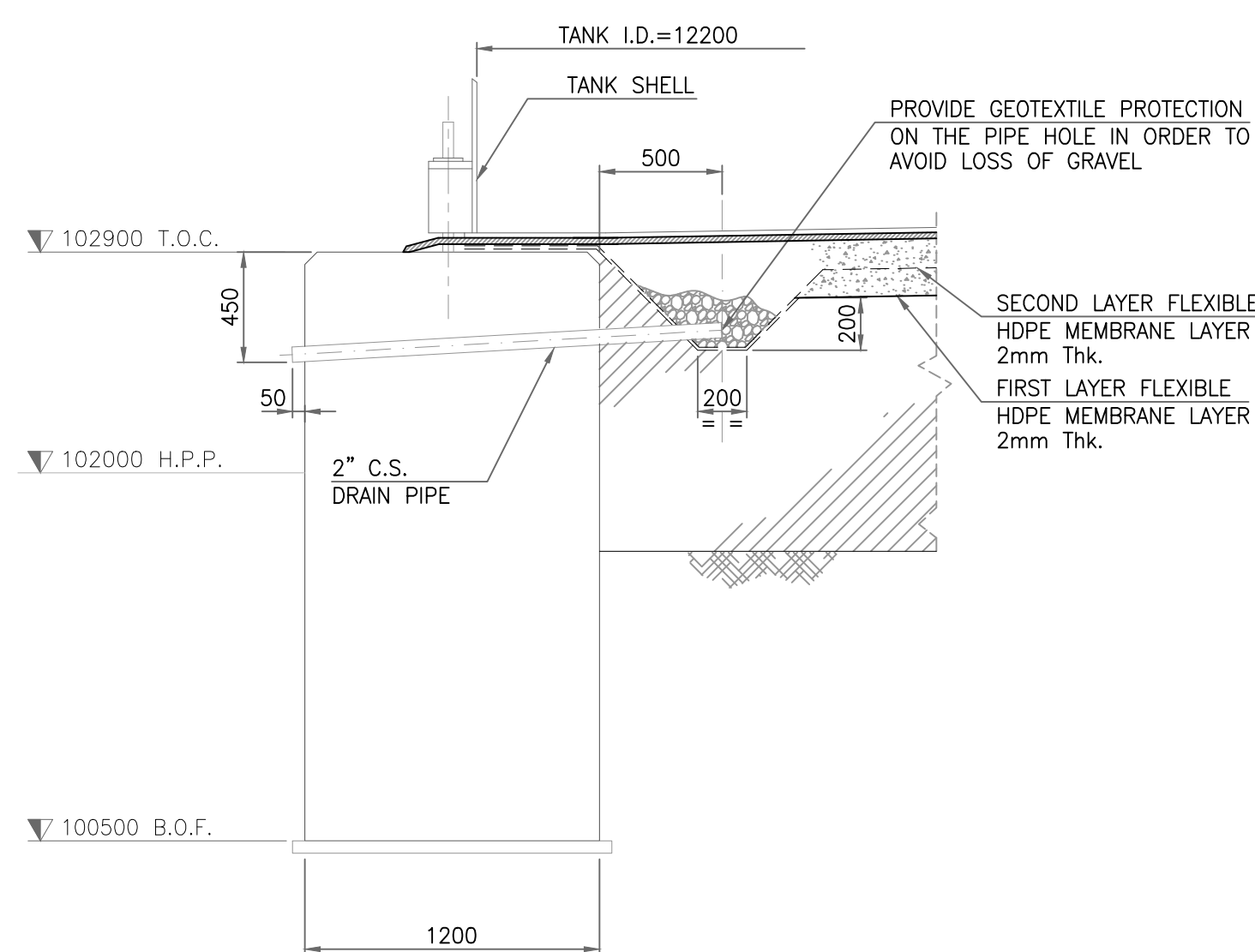
SECTION 3-3 (RINGWALL)
TYP. REINFORCEMENT
SCALE 1:25



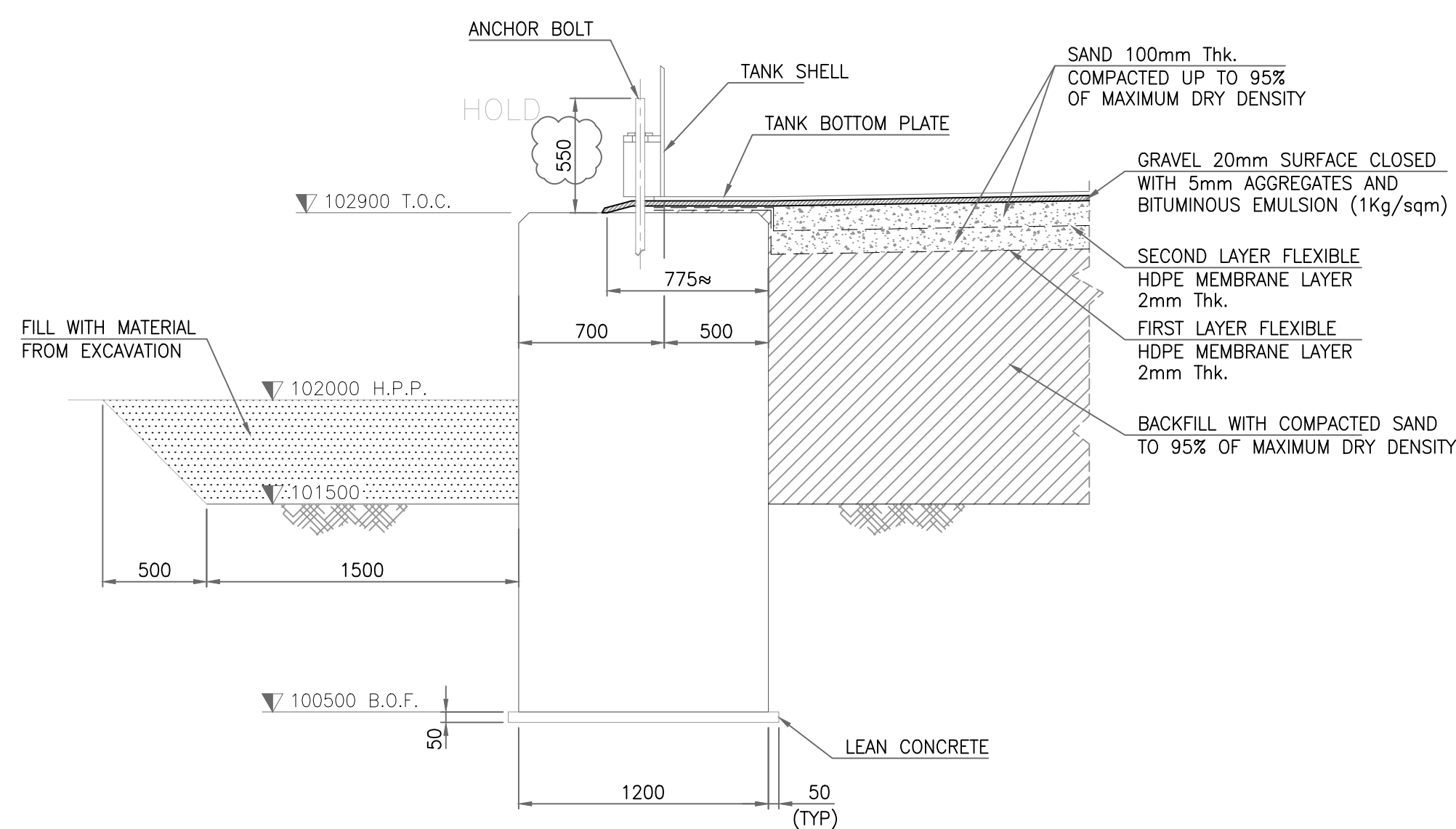
SECTION "1-1"
SCALE 1:100



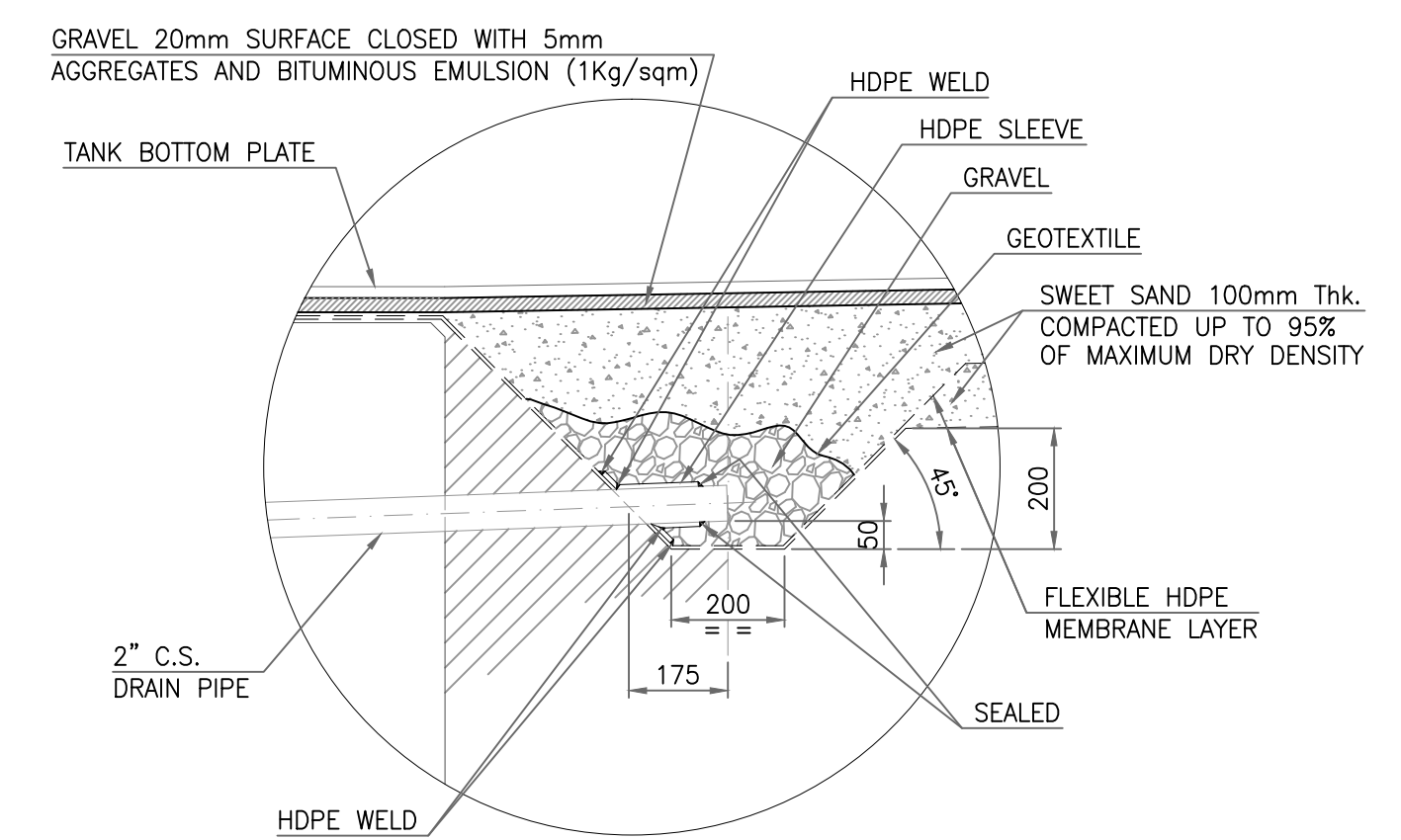
DETAIL "2"
TYP. FOR RING REINFORCEMENT
SCALE 1:50



DETAIL "1"
TYP. FOR LEAK DETECTION
(N⁴ REQ.ED)
FOR POSITION SEE PLAN
SCALE 1:25



SECTION 3-3 (RINGWALL)
TYP. FORMWORK & INSTALLATION SECTION
SCALE 1:25



DRAIN DETAIL
(N⁴ REQ.ED)
FOR POSITION SEE PLAN
N.T.S.