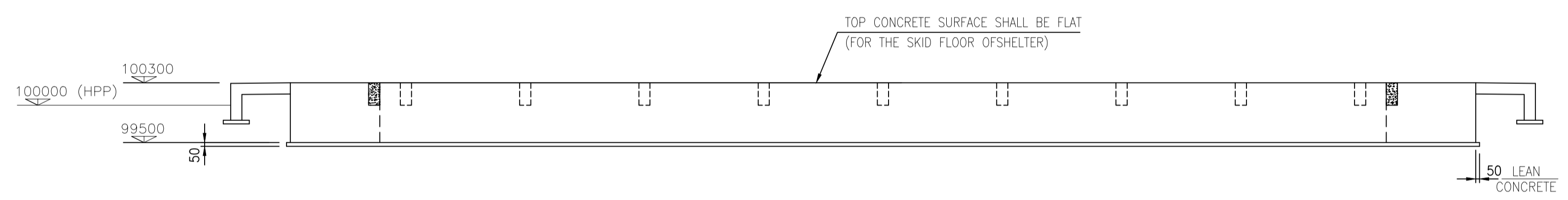
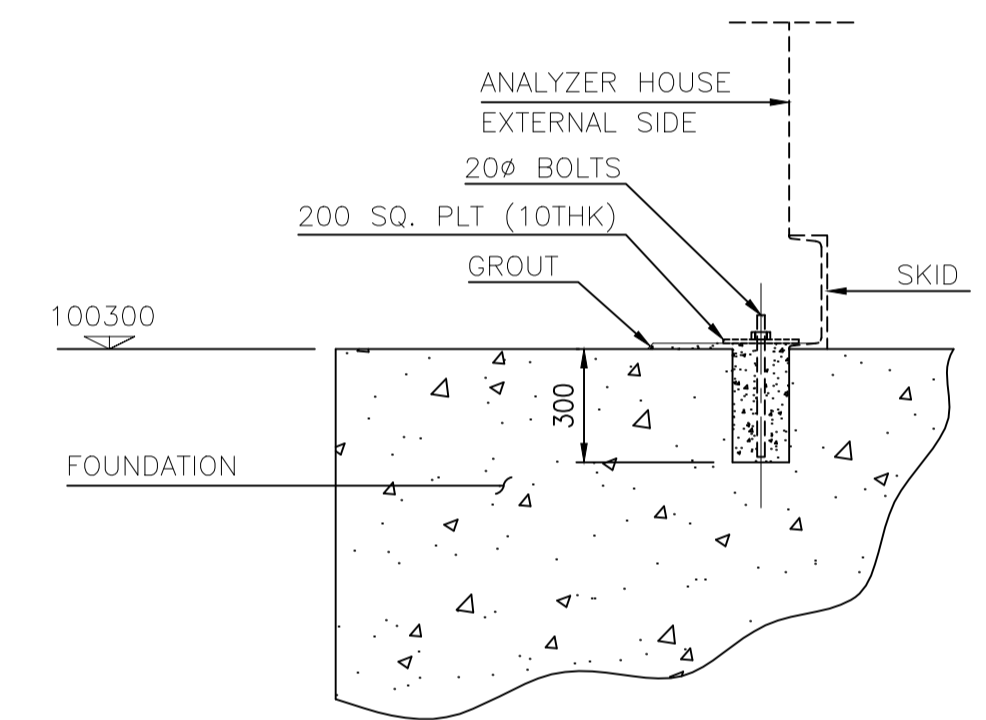


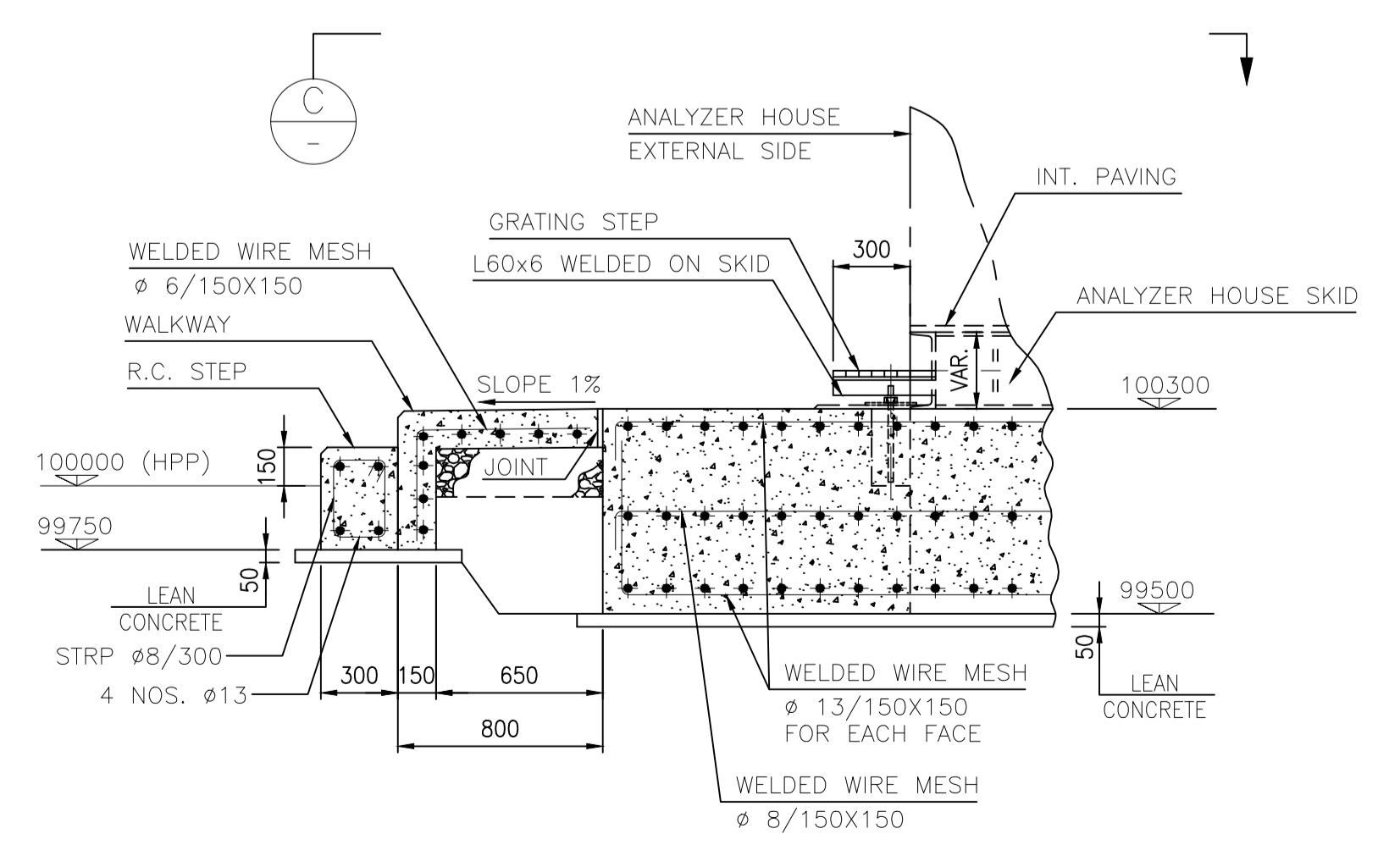
FOUNDATION PLAN  
(FORMWORK) 1:50



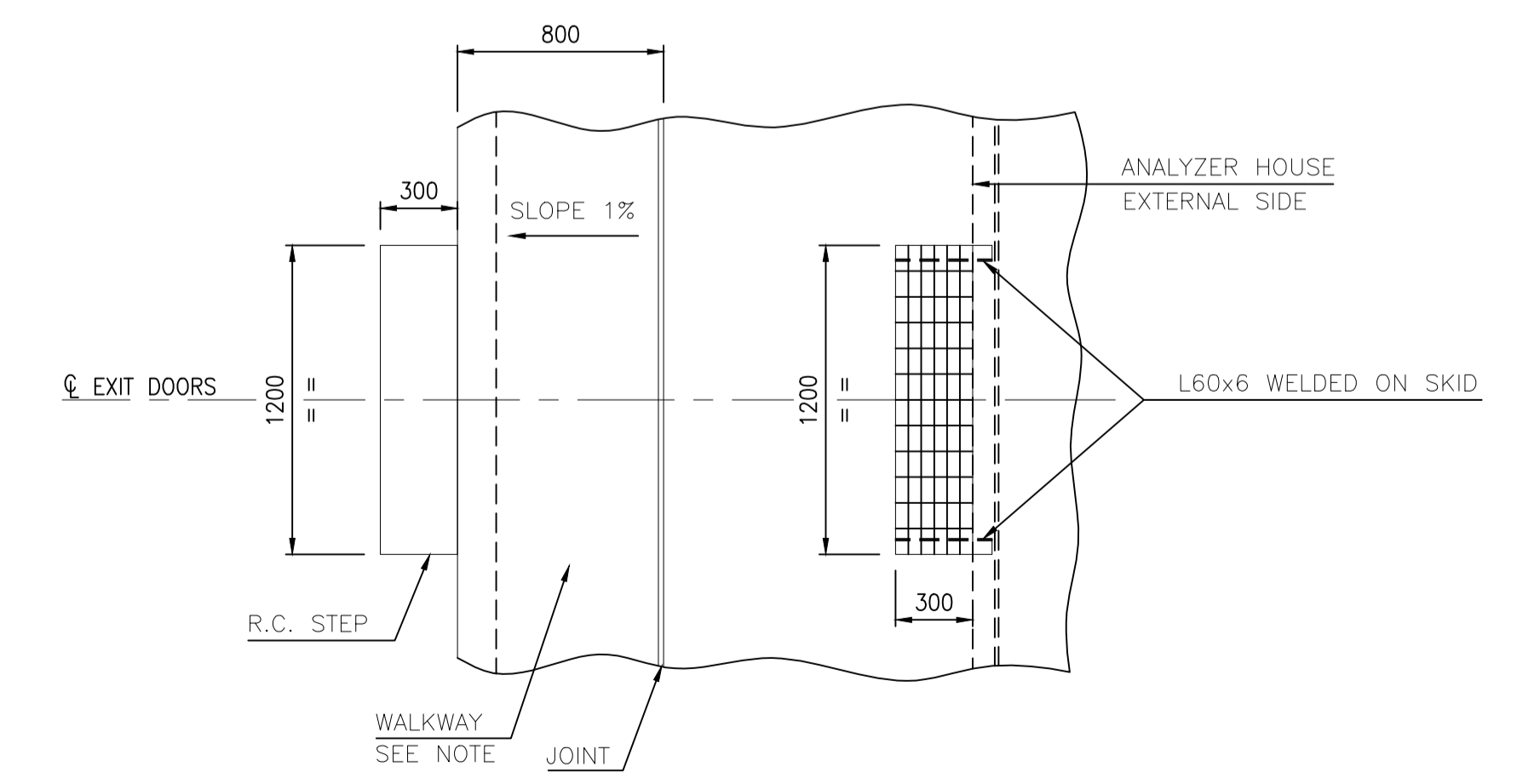
SECTION 1-1  
(FORMWORK) 1:50



DETAIL 1  
1:20



SECTION 2-2  
1:25



VIEW C-C  
1:25

NOTE: TO BE CAST AFTER CABLES AND DRAINAGE INSTALLATION.