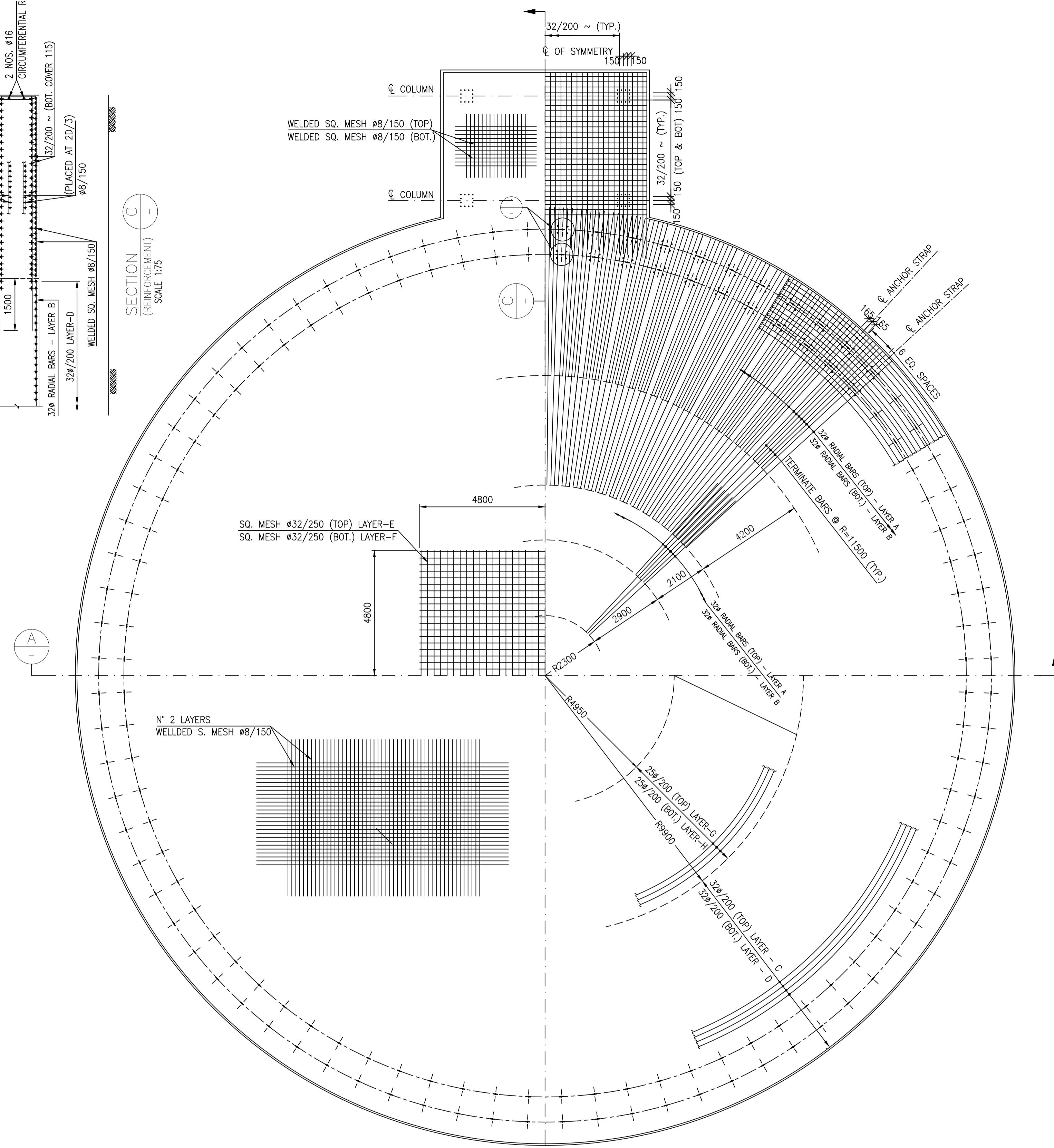
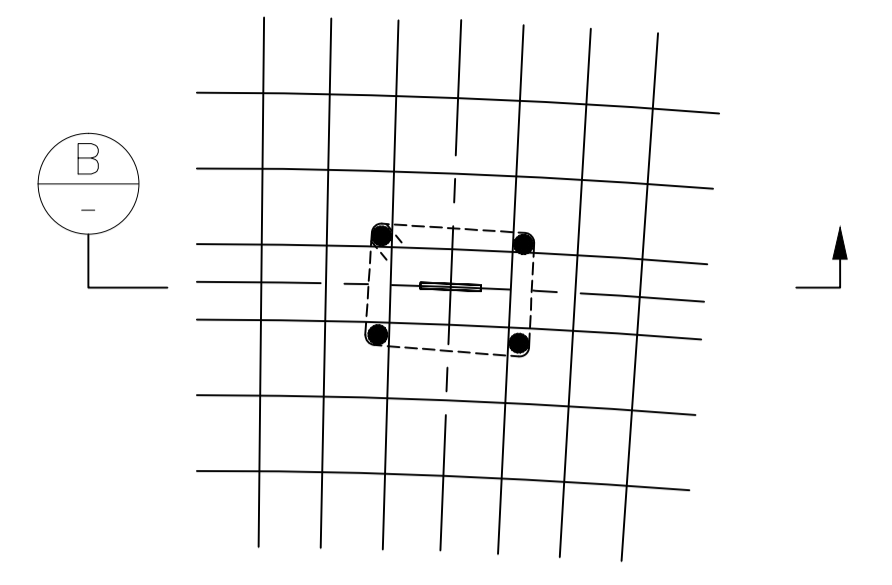


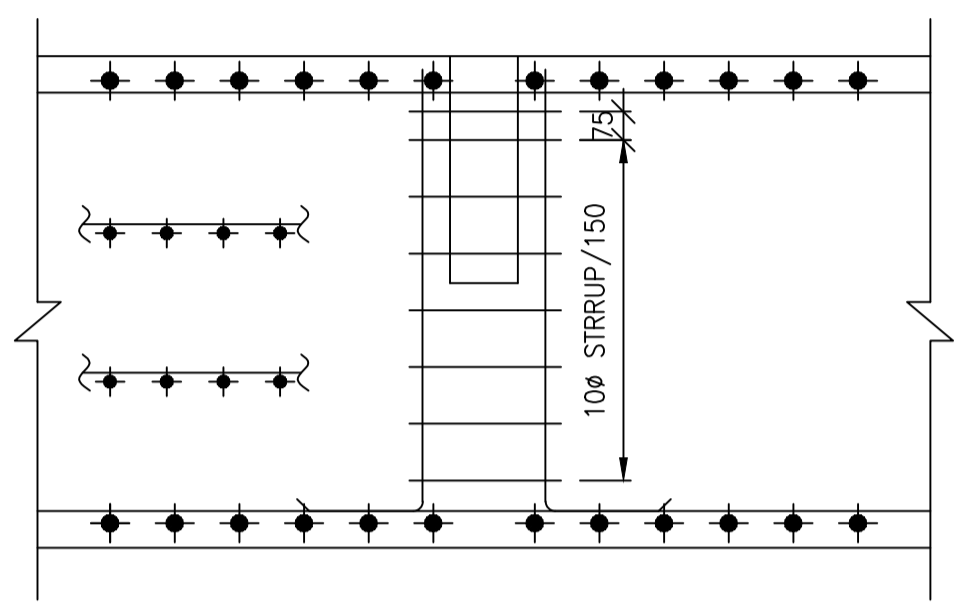
SECTION C  
(REINFORCEMENT)  
SCALE 1:75



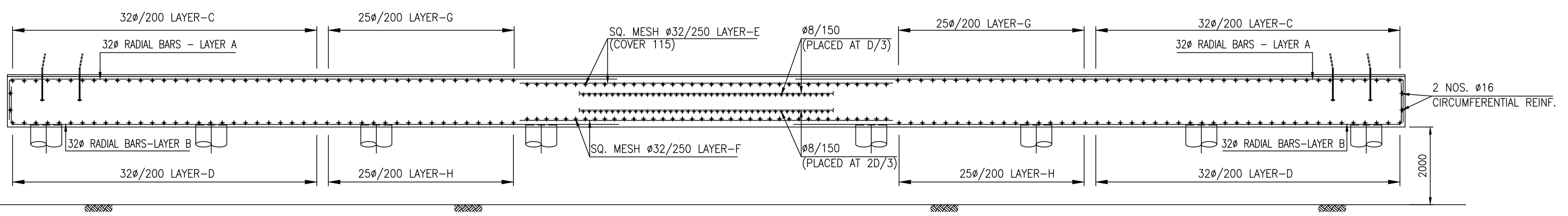
PLAN  
(SHOWING REINFORCEMENT)  
SCALE 1:100



DETAIL 1  
SCALE 1:20



SECTION B  
SCALE 1:20  
REINFORCEMENT AROUND ANCHORS



SECTION A  
(REINFORCEMENT)  
SCALE 1:75