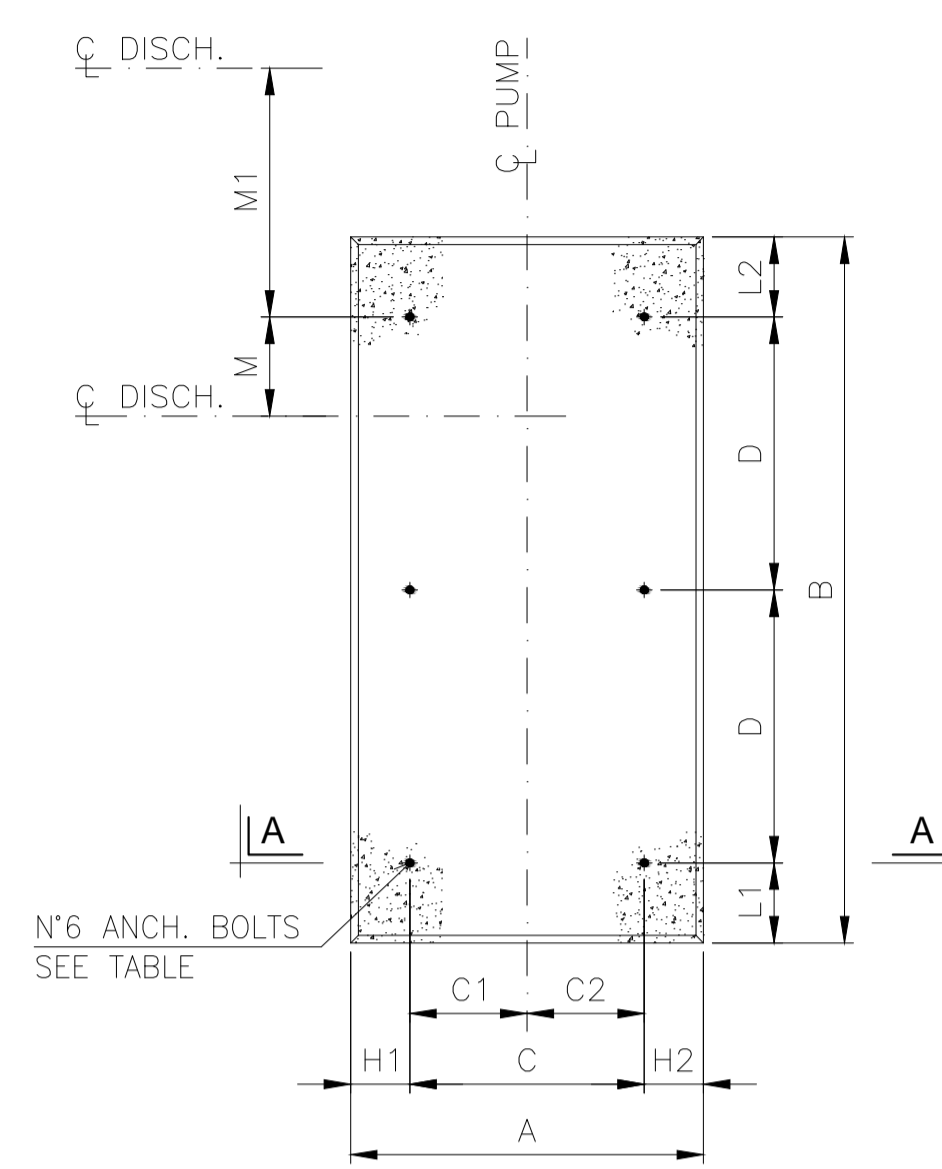
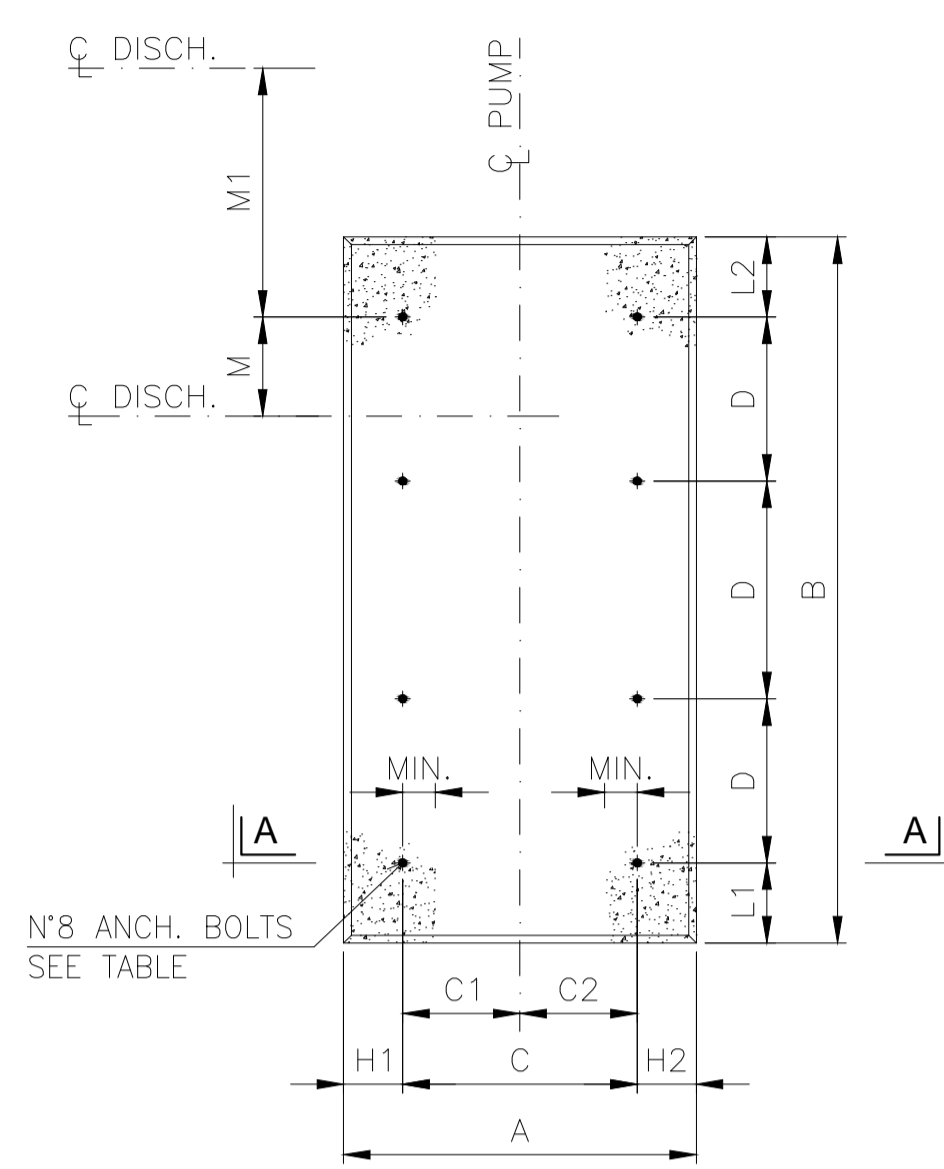


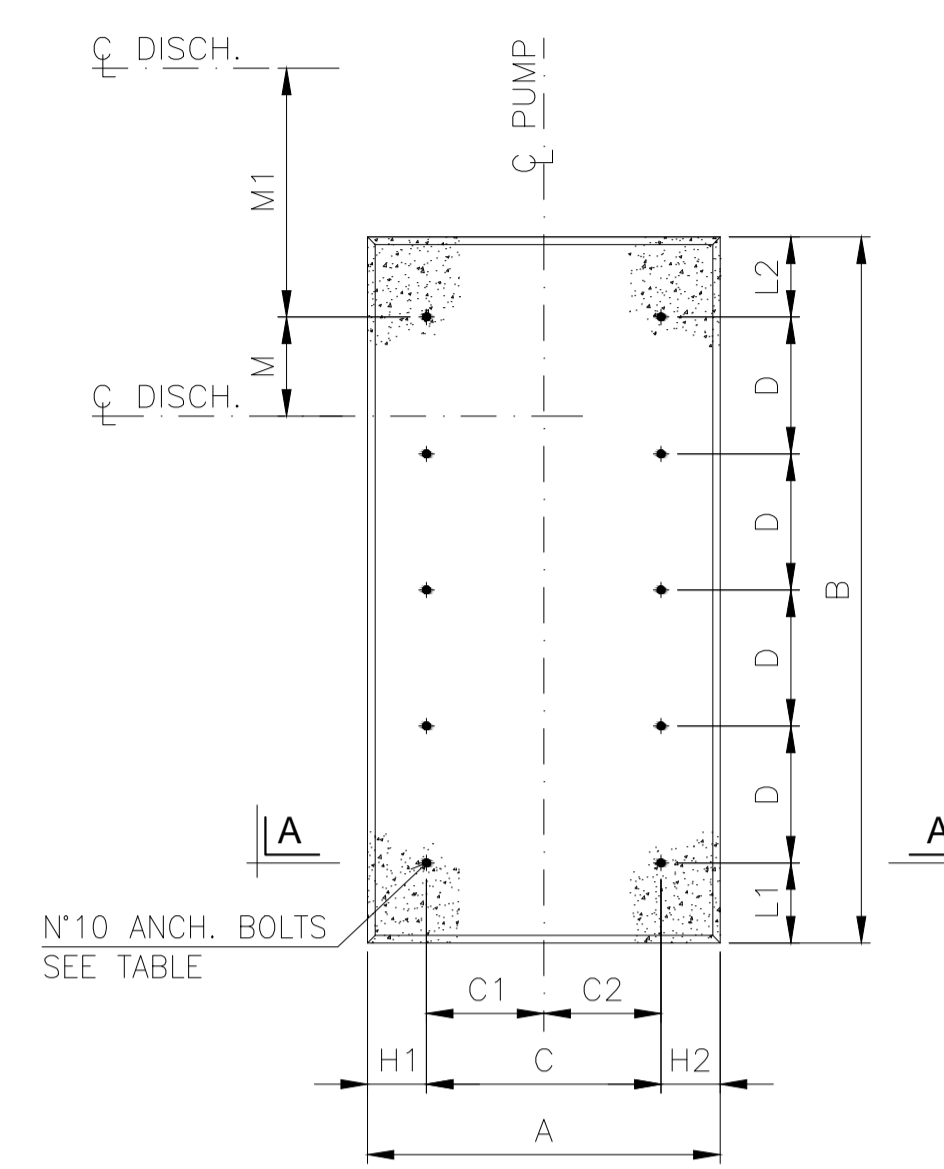
TYPE "1"  
PLAN



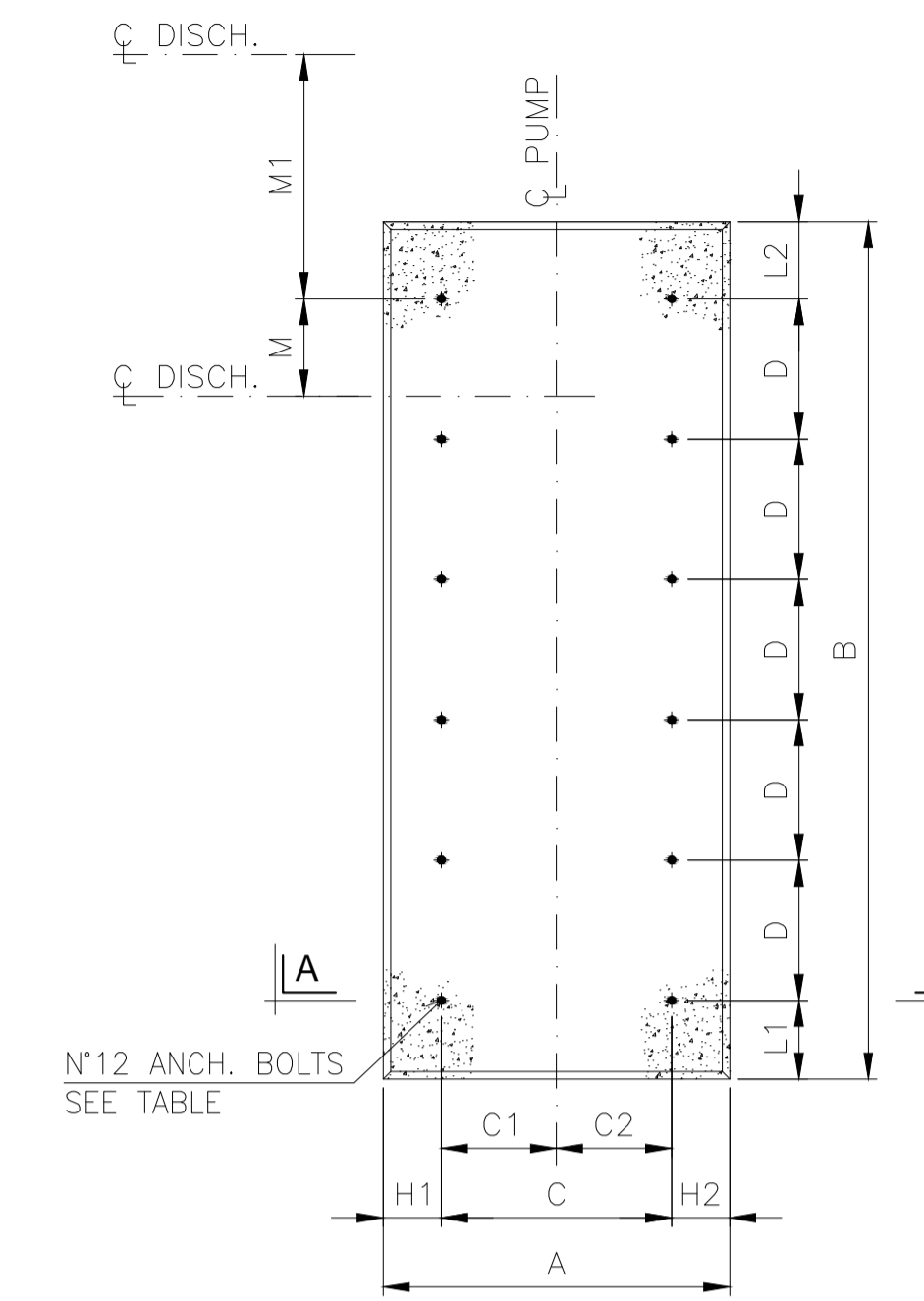
TYPE "2"  
PLAN



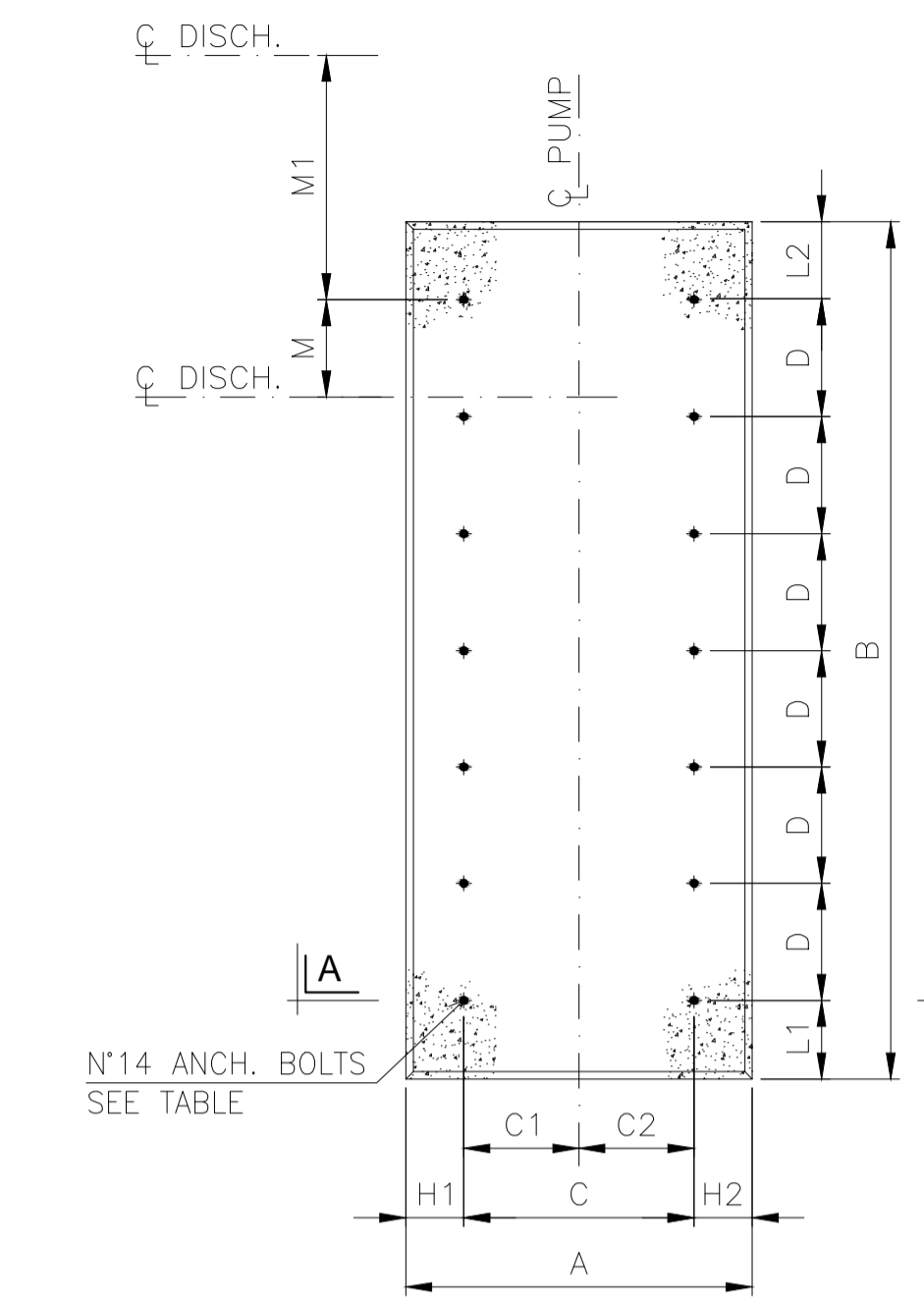
TYPE "3"  
PLAN



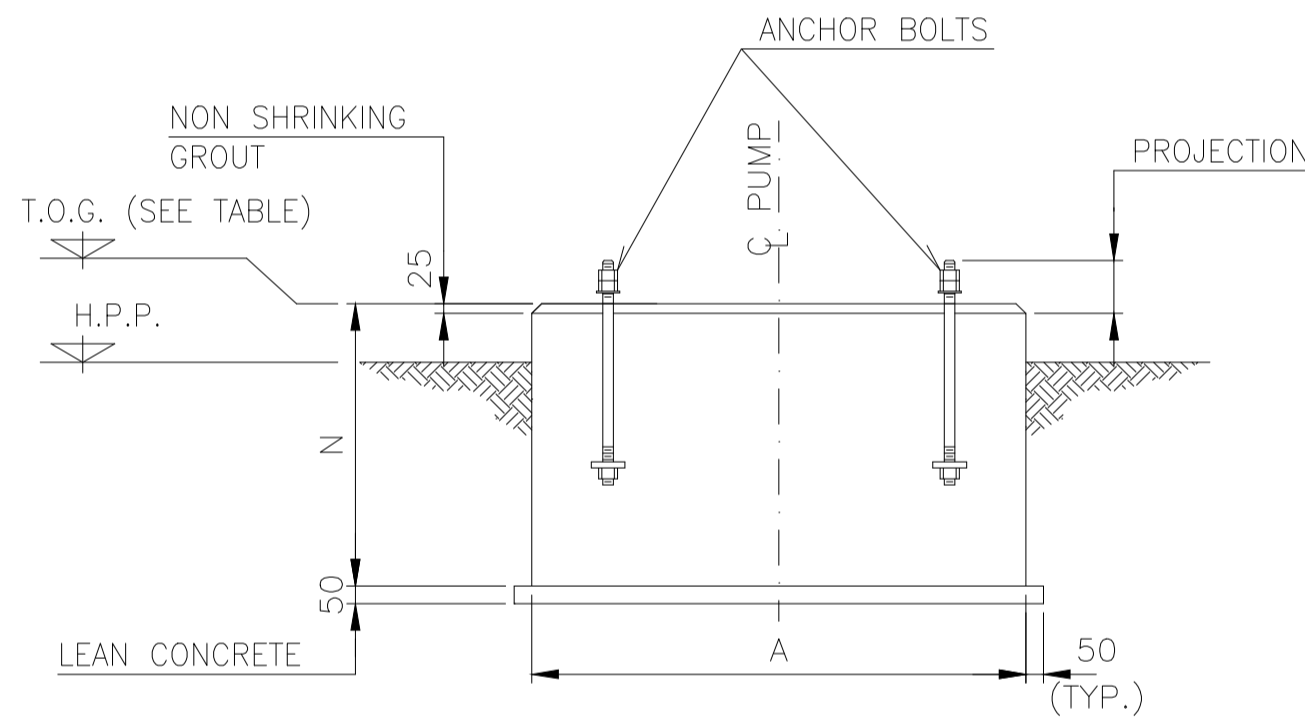
TYPE "4"  
PLAN



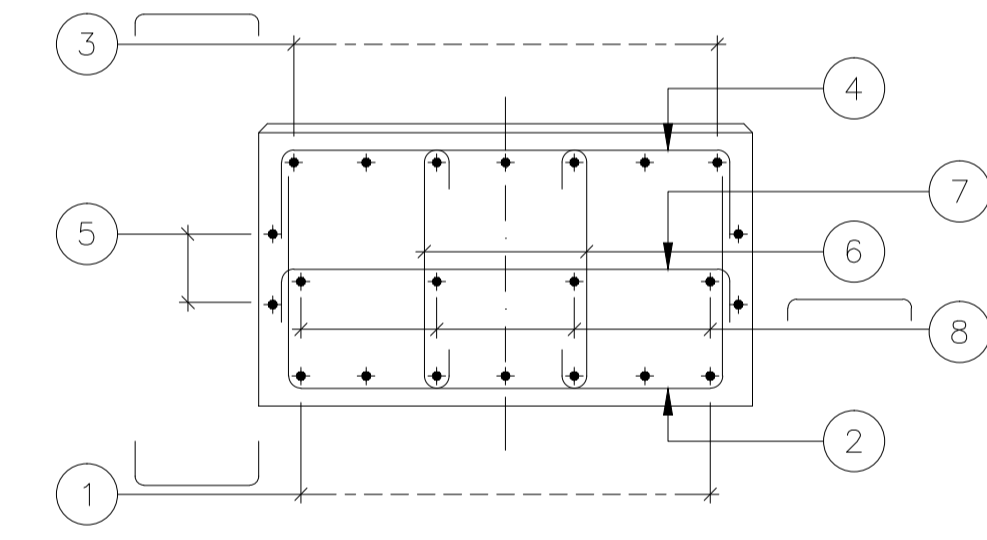
TYPE "5"  
PLAN



TYPE "6"  
PLAN



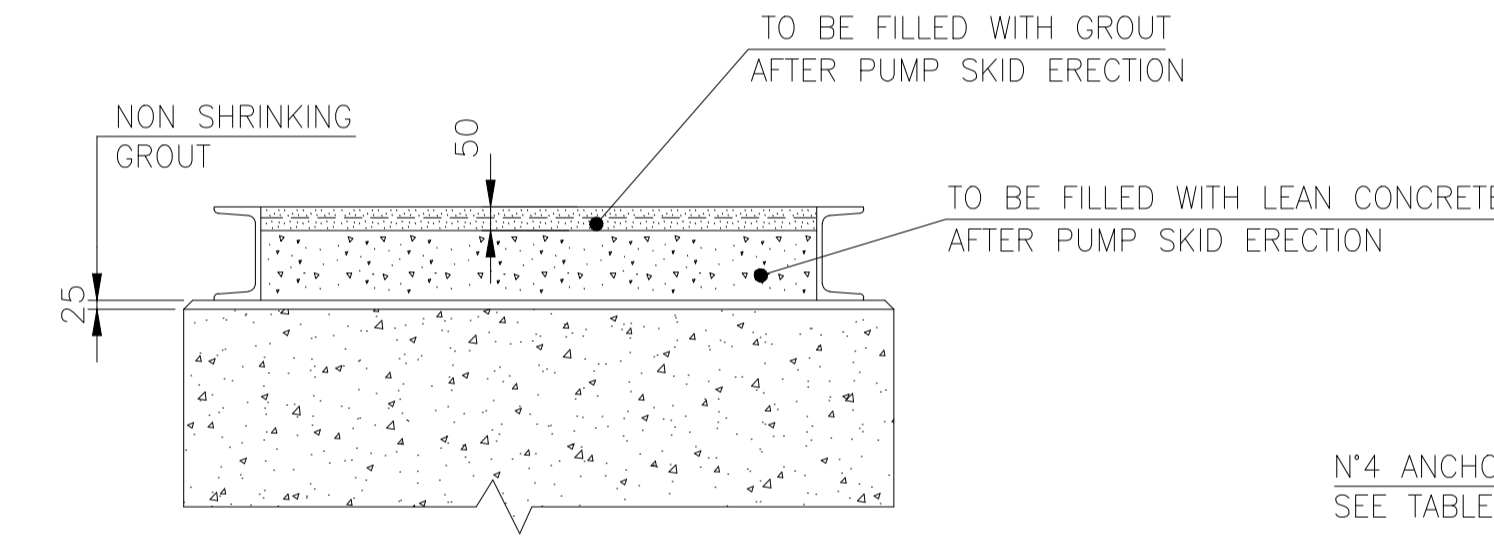
SECTION "A-A"  
FORMWORKS  
VALID FOR TYPES "1" TO "7"



SECTION "A-A"  
REINFORCEMENT  
VALID FOR TYPES "1" TO "7"

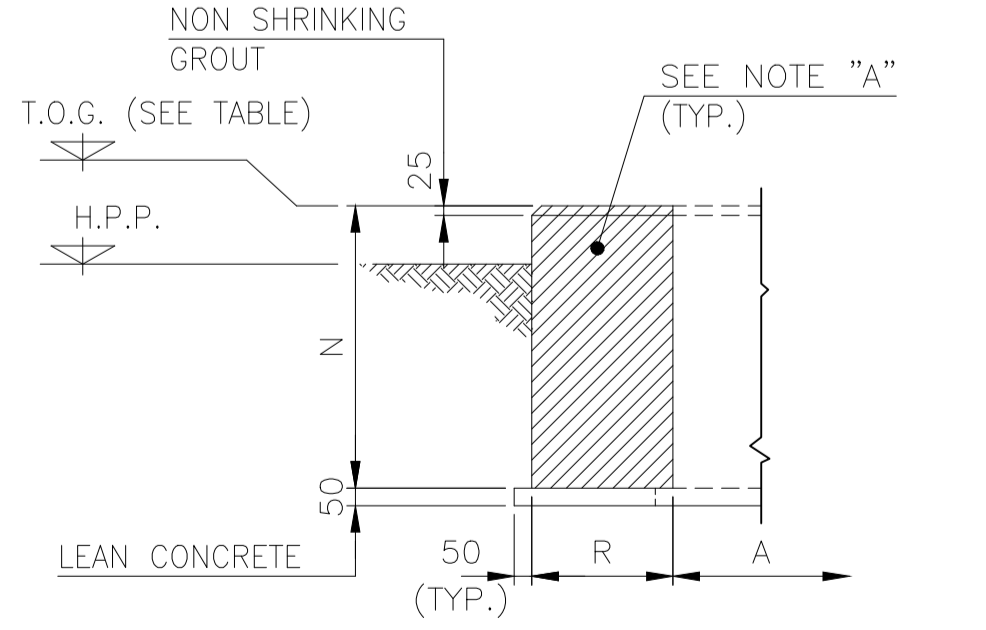
TABLE "B"

ITEM	R	S	T	U	V	Z

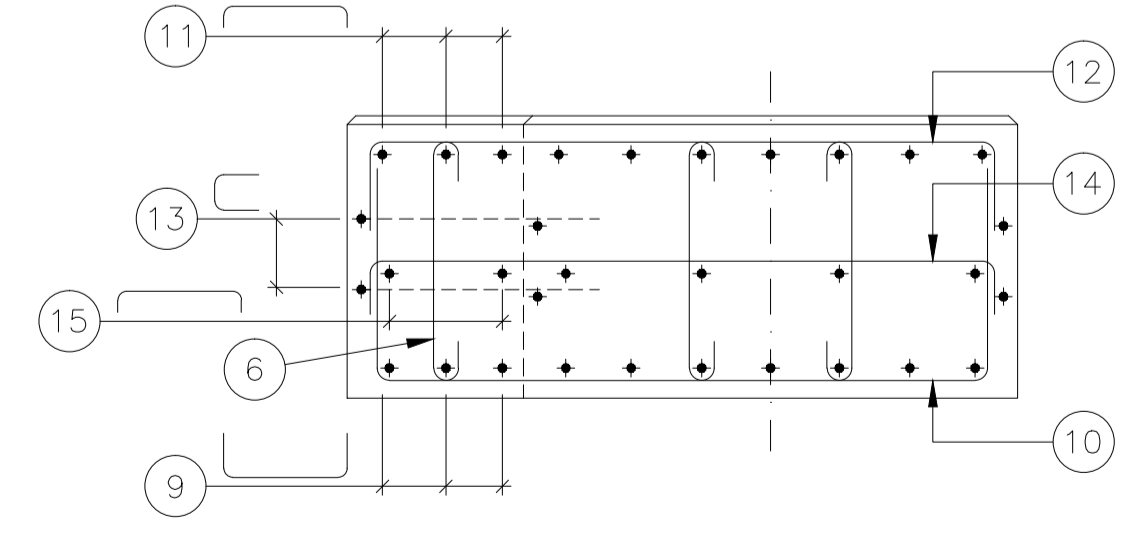


GROUTING DETAIL

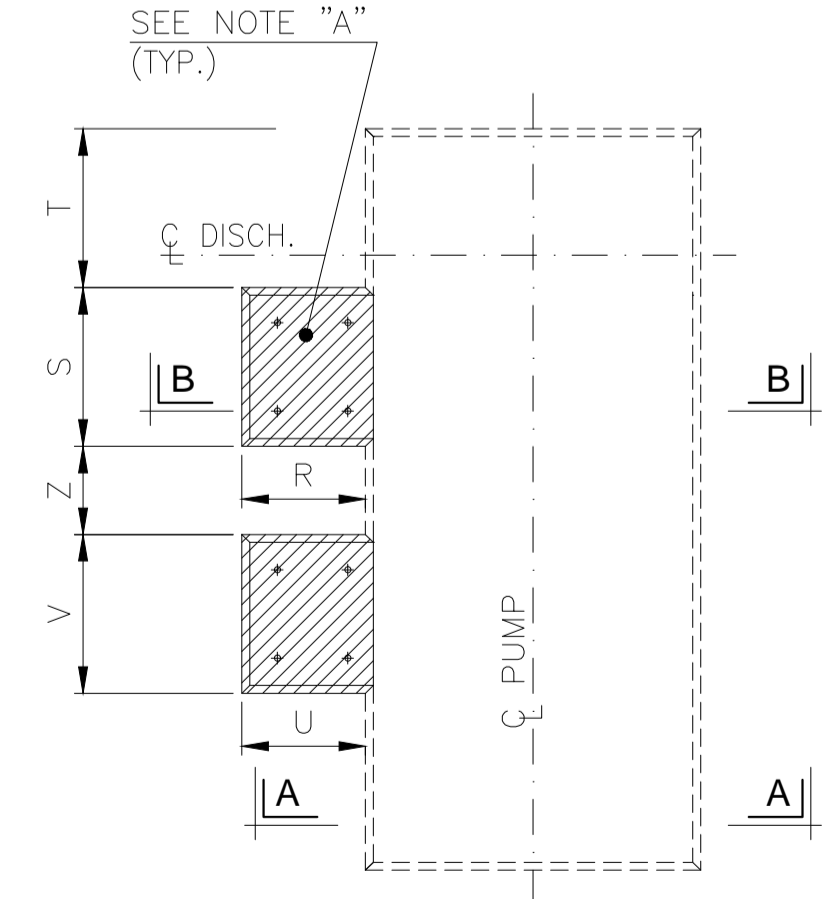
NOTE "A"  
FOUNDATIONS TYPE "1" TO "7" ARE WITHOUT HATCHED PART.  
FOUNDATIONS TYPE "1A" TO "6A" ARE WITH HATCHED PART.  
DIMENSIONS OF HATCHED PART ARE INDICATED ON TABLE "B".  
ALL HATCHED PARTS ARE ON THE LEFT SIDE OF THE PUMPS.



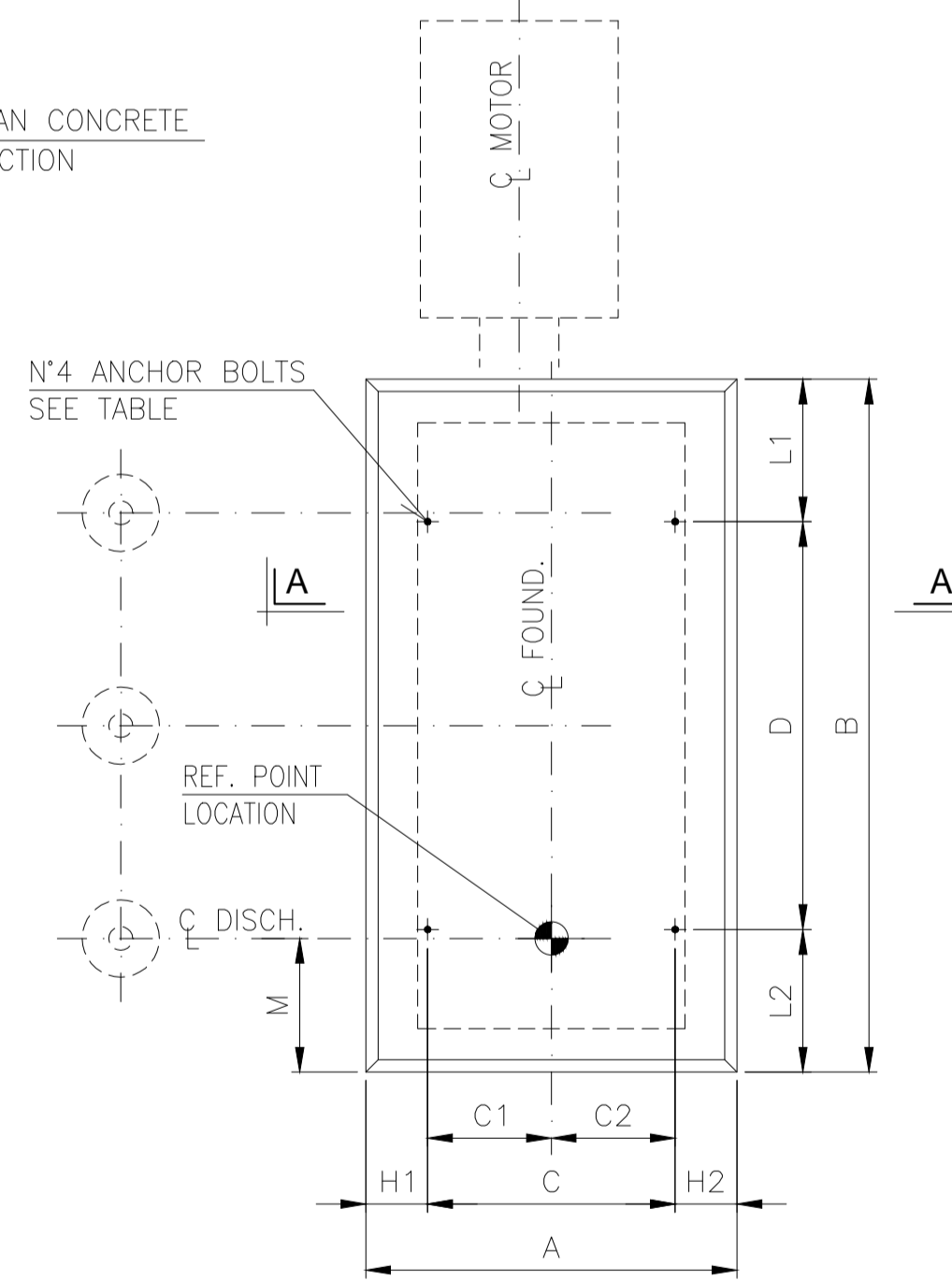
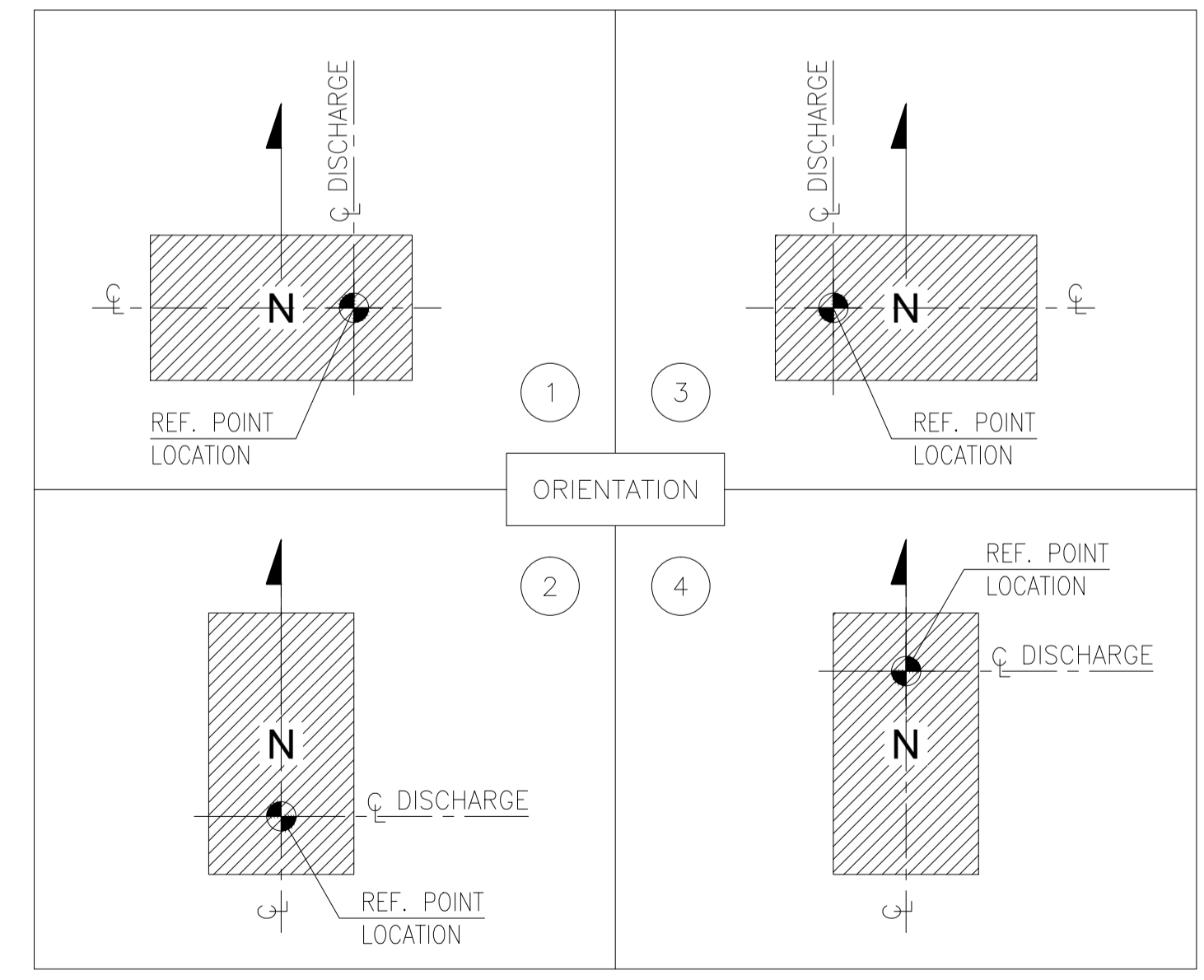
SECTION "B-B"  
FORMWORKS  
VALID FOR TYPES "1A" TO "6A"



SECTION "B-B"  
REINFORCEMENT  
(MISSING MARKS OF REINF. BARS ARE SHOWN IN SECTION "A-A")



TYPES "1A" TO "6A"  
TYP. PLAN



TYPE "7"  
PLAN