

SECTION 12-12
(REINFORCEMENT) 1:50

TABLE TOP PLAN (SHOWING MAIN REINFORCEMENTS ONLY)
(REINFORCEMENT) 1:75

SECTION 21-21
(REINFORCEMENT) 1:50

SECTION 20-20
(REINFORCEMENT) 1:75

SECTION 8-8
(REINFORCEMENT) 1:50

SECTION 13-13
(REINFORCEMENT) 1:50

SECTION 14-14
(REINFORCEMENT) 1:50

SECTION 15-15
(REINFORCEMENT) 1:50

SECTION 16-16
(REINFORCEMENT) 1:75

SECTION 17-17
(REINFORCEMENT) 1:75

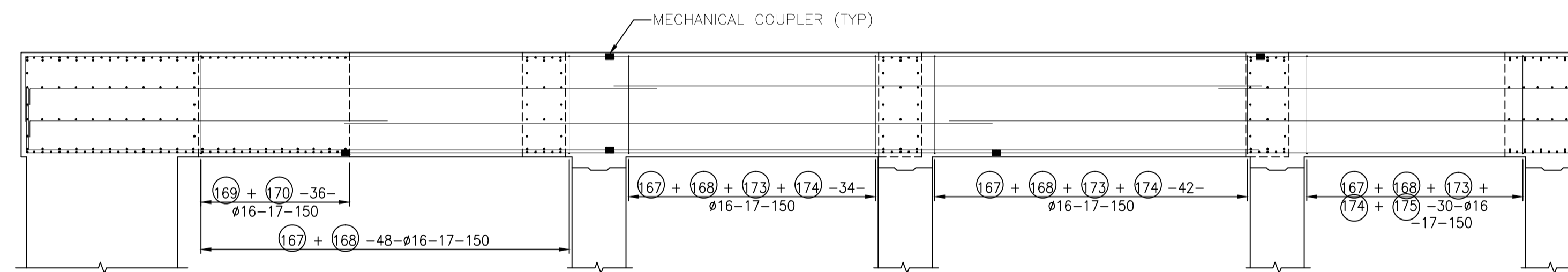
SECTION 18-18
(REINFORCEMENT) 1:75

SECTION 19-19
(REINFORCEMENT) 1:75

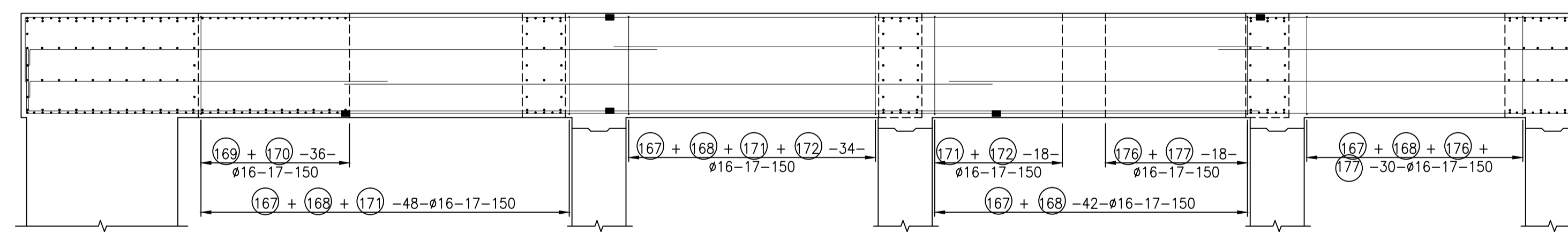
SECTION 9-9
(REINFORCEMENT) 1:50

SECTION 10-10
(REINFORCEMENT) 1:50

SECTION 11-11
(REINFORCEMENT) 1:50



SECTION 6-6
(REINFORCEMENT) 1:75



SECTION 7-7
(REINFORCEMENT) 1:75

